



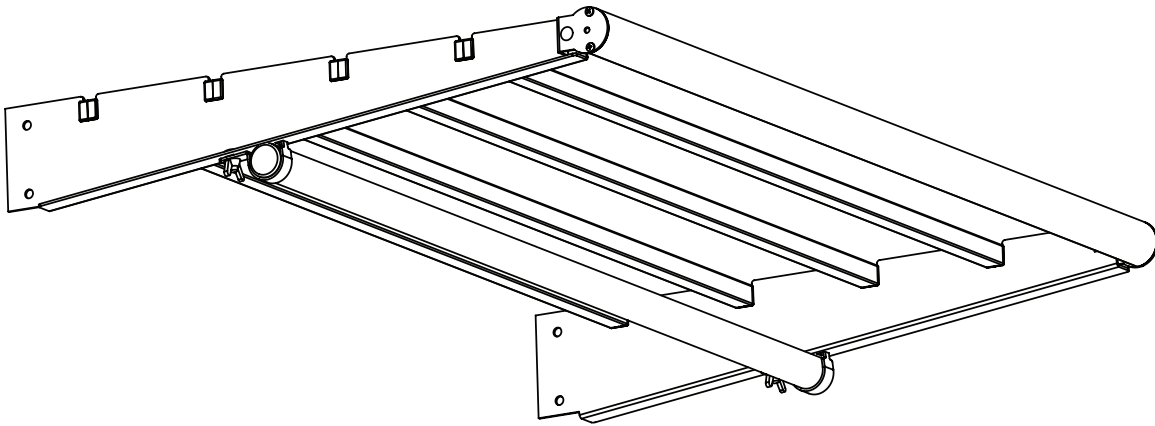
# Installation Instructions Garment Bar Accessory for the GearBoss® Shelving System

**Basic Instructions only!**  
For more detailed product information, refer to the  
GearBoss Shelving System Installation Instructions 241A298.

**⚠ CAUTION**  
*Make sure anyone assembling, installing or using this product has read and understands these instructions.*

**⚠ CAUTION**  
*Failure to comply with Warnings and Cautions in this document or on the equipment can result in damage to property or serious injury.*

**⚠ CAUTION**  
*Maximum load capacity rating for the garment bar is 100 lb (45 kg).*



## Contents

Parts List ..... 2      Installation ..... 2



Visit the GearBoss Shelving System web page at [gearboss.com](http://gearboss.com) for more information.

**Note:** Please read and understand these instructions before proceeding.  
**Note:** If you need additional information, contact Wenger Corporation using the information below.

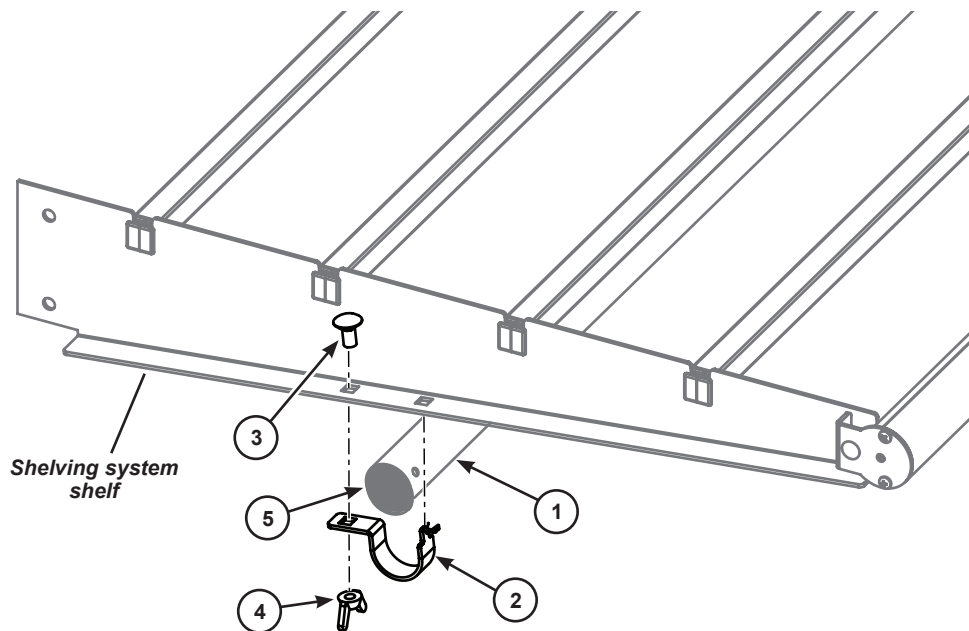
## Parts List

---

Item	Qty	Description
1	1	Garment Bar
2	2	Tube Holder Bracket
3	2	3/8-16 x 3/4" Carriage Bolt
4	2	3/8-16 Wing Nut
5	2	End Plug

## Installation

---



1. Install the tube holder bracket (2) onto the underside of the shelf arm (6) by inserting the tab into the front hole and secure the bracket by inserting a carriage bolt (3) through the back hole of the shelf arm and bracket as shown using a wing nut (4). **Do not tighten the wing nut yet.**
2. Place one end of the garment bar (1) through the bracket and position the other end of the bar so step 1 can be repeated for the other end of the shelf.
3. Tighten the wing nuts on both ends of the garment bar.